



PRINTER SERIES

Service Manual



M750n



M750dn

www.servicereports.nl

Separation roller assembly (Tray 2)

CAUTION: Do not touch the spongy roller surface unless you are replacing the roller. Skin oils on the roller can cause paper pickup problems.


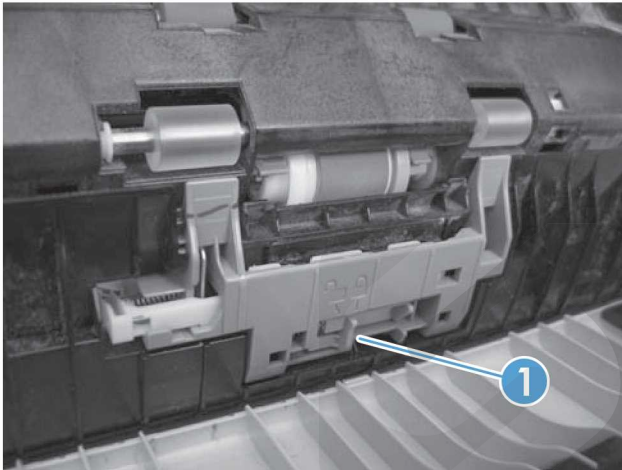
1. Remove Tray 2 from the product.
2. Open the right-door assembly.
3. On the separation roller assembly, slide the lever (callout 1) toward the unlocked icon  until it clicks into the unlocked position.

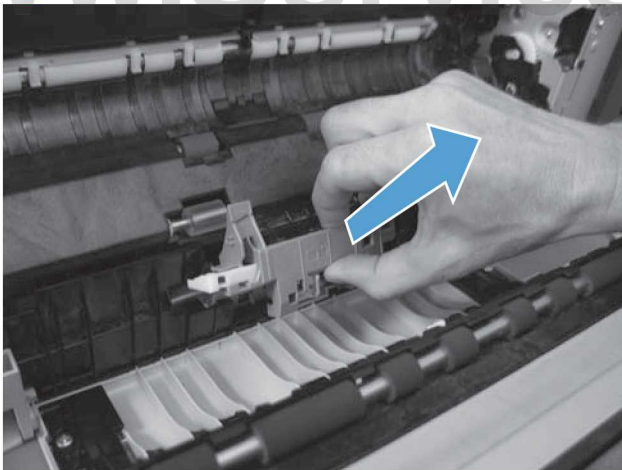
Figure 2-12 Remove the separation roller assembly (Tray 2) (1 of 2)



4. Pull the separation roller assembly up and remove it from the product.

Reinstallation tip When you install the separation roller assembly, make sure that it snaps into the locked position.

Figure 2-13 Remove the separation roller assembly (Tray 2) (2 of 2)

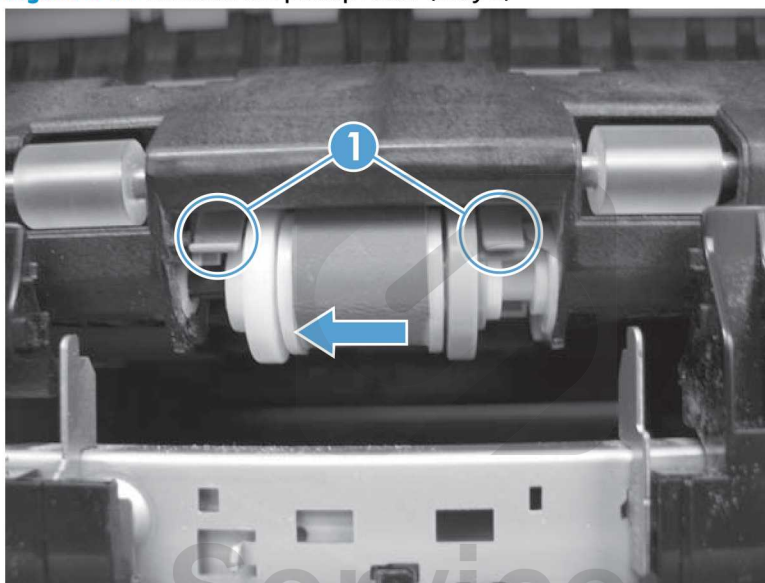


Pickup roller (Tray 2)

⚠ CAUTION: Do not touch the spongy roller surface unless you are replacing the roller. Skin oils on the roller can cause paper pickup problems.

1. Open Tray 2.
2. Open the right-door assembly.
3. Remove the separation roller assembly (see [Separation roller assembly \(Tray 2\) on page 94](#))
4. Lift one of the two levers (callout 1) on either side of the pickup roller, and then push the right side of the roller in the direction of the arrow.

Figure 2-14 Remove the pickup roller (Tray 2)



5. Remove the pickup roller.

💡 Reinstallation tip Insert the left side of the roller into the product first. Make sure that the replacement roller snaps into place.