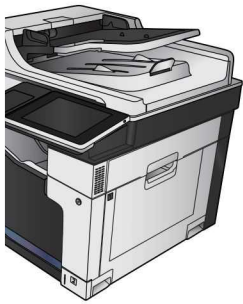




# LASERJET ENTERPRISE 700 COLOR MFP

## Repair Manual



M775dn



M775f



M775z



M775

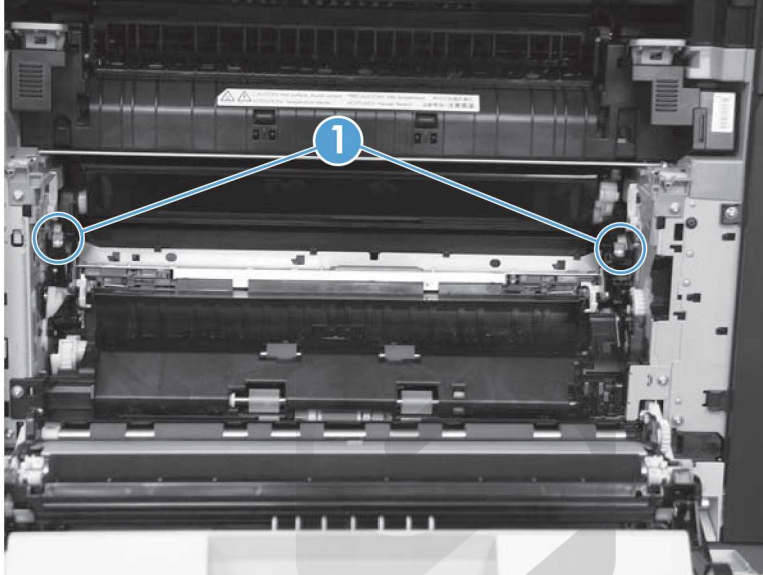
[www.ServiceParts.nl](http://www.ServiceParts.nl)

## Intermediate transfer belt

**⚠ CAUTION:** Avoid touching the black plastic intermediate transfer belt (ITB). Skin oils on the belt might cause print quality problems.

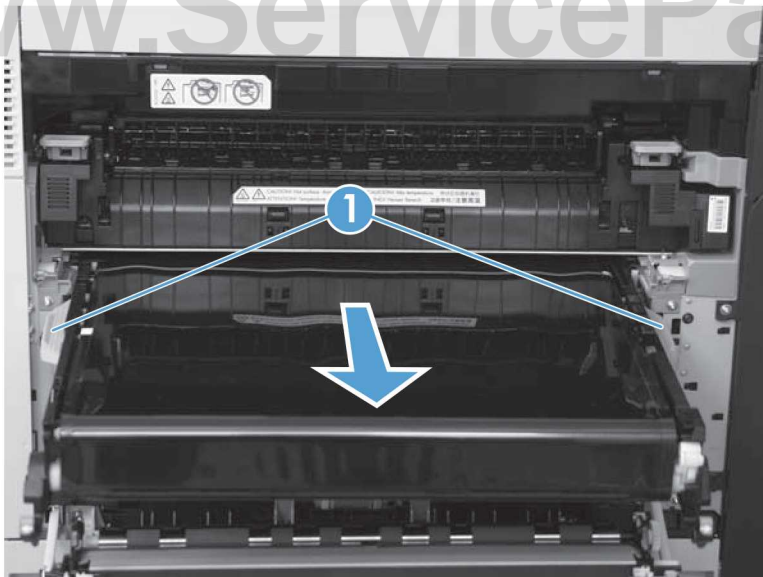
1. Open the right door, and then grasp the small handles on the ITB (callout 1).

**Figure 1-6** Remove the ITB (1 of 3)



2. Pull the ITB out of the product until two large handles (callout 1) expand along the right and left sides of the ITB.

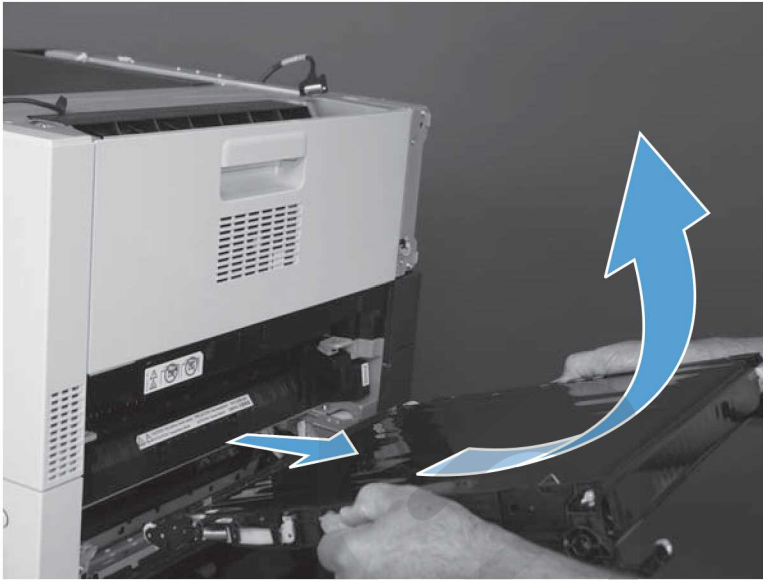
**Figure 1-7** Remove the ITB (2 of 3)



3. Continue to slide the ITB out of the product until it stops, and then slightly rotate the ITB up to remove it.

**CAUTION:** The ITB is a sensitive component. Be careful when handling the ITB so that it is not damaged. Always place the ITB in a safe and protected location.

**Figure 1-8** Remove the ITB (3 of 3)



[www.ServiceParts.nl](http://www.ServiceParts.nl)