

Separation roller

△ **CAUTION:** Avoid touching the spongy roller surface unless you are going to replace the roller. Skin oils on the roller can cause paper-pickup problems.

1. Remove the paper pickup roller. See [Paper-pickup roller on page 85](#).
2. Remove Tray 2 (if installed), and then carefully raise the front of the product.

△ **WARNING!** Do not place the product face-up resting on the rear cover and rear door. Excess toner might enter the laser/scanner assembly and contaminate the mirrors, causing print-quality problems. The laser/scanner is not a FRU. If the laser/scanner mirrors are contaminated, the entire product must be replaced.

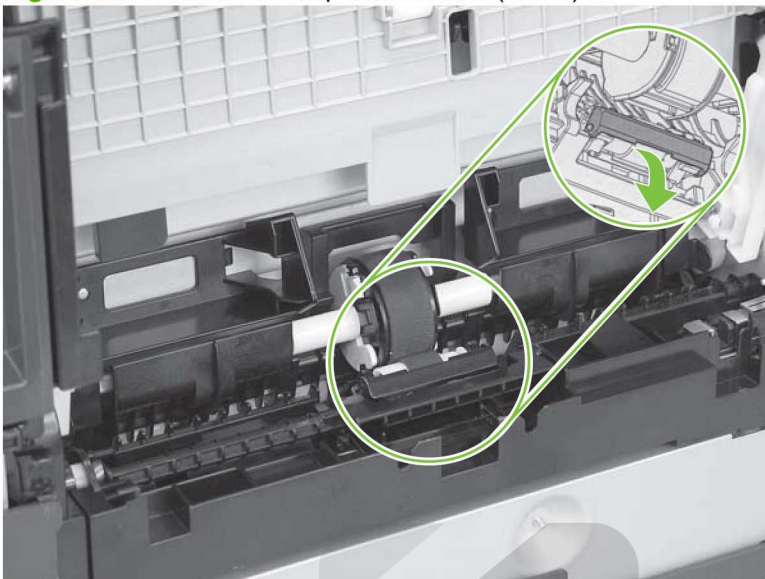
△ **CAUTION:** Do not lift the product by grasping the front door and Tray 2 cavity.

Figure 6-6 Remove the separation roller (1 of 3)



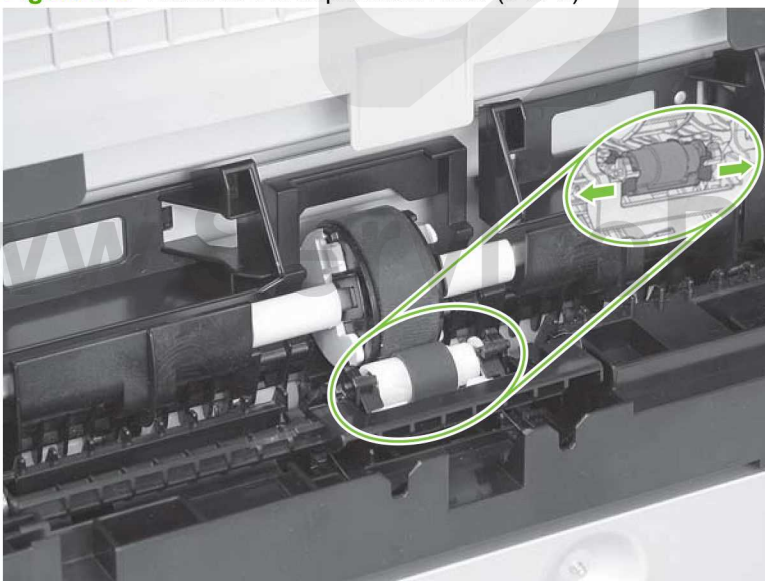
3. Release the two roller-cover locking pins, and then remove the cover.

Figure 6-7 Remove the separation roller (2 of 3)



4. Release the roller holder to release the roller-locking pins. Remove the separation roller.

Figure 6-8 Remove the separation roller (3 of 3)



Reinstall the separation roller

1. Install the replacement separation roller.
2. Reinstall the separation roller cover on the locking pins, and then rotate it toward the roller until you hear it snap into place.

Figure 6-9 Reinstall the separation roller

